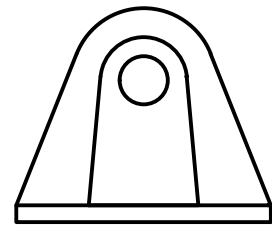
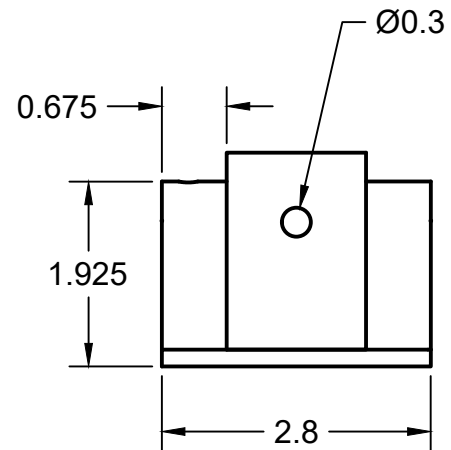
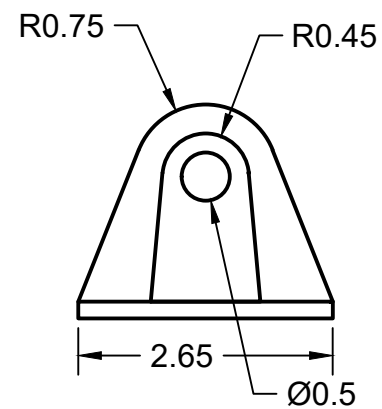


SECTION A-A
SCALE 1:2



SECTION B-B
SCALE 1:2



		PROJECT		
		289 CAST PARTS		
		TITLE		
		289 Acclerator Pedal Housing		
APPROVED	SIZE	CODE	DWG NO	REV
CHECKED	B			
DRAWN	Chuckcobra Chuckcobra 7/27/2019	SCALE 1:2	WEIGHT	SHEET 1/1